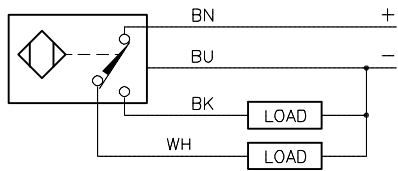


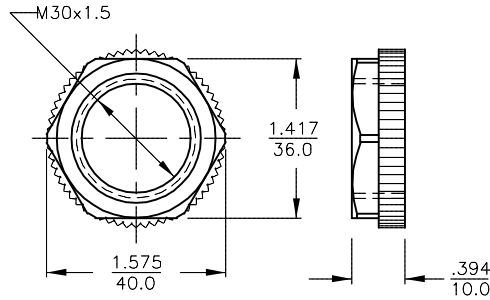
WIRING DIAGRAM



OUTPUT: VP4X2

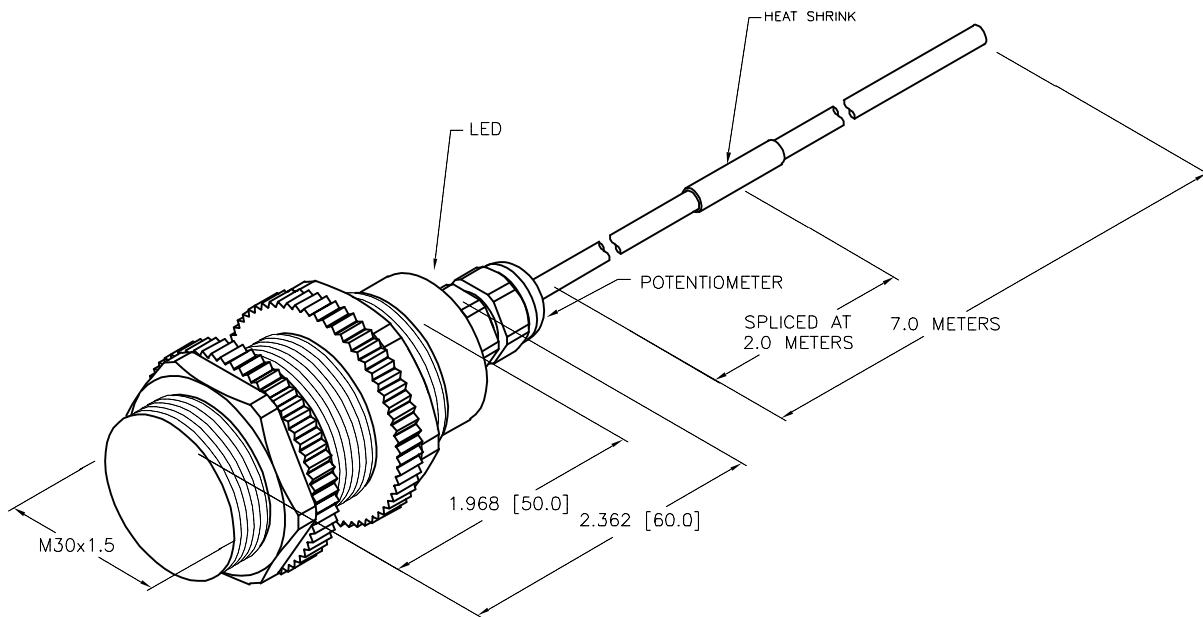
SHORT-CIRCUIT AND OVERLOAD PROTECTED

LOCKNUT LN-P30



SPECIFICATIONS

RATED OPERATING DISTANCE	10mm [.394"] FLUSH 15mm [.591"] NON-FLUSH
HYSTERESIS	2-20%
MIN. REPEAT ACCURACY	≤ 2%
TEMPERATURE DRIFT	≤ ± 20%
OPERATING TEMPERATURE	-25°C to +70°C (-13°F to +158°F)
RATED OPERATIONAL VOLTAGE	10-65 VDC
MAX. RIPPLE	≤ 10%
RATED OPERATIONAL CURRENT	≤ 200 mA
NO-LOAD CURRENT	≤ 15 mA
OFF-STATE CURRENT	≤ 0.1 mA
RATED INSULATION VOLTAGE	≤ 0.5 kV
SHORT-CIRCUIT PROTECTED	YES
MAX. VOLTAGE DROP	≤ 1.8 V
REVERSE POLARITY PROTECTION	INCORPORATED
WIRE-BREAK PROTECTION	INCORPORATED
OUTPUT FUNCTION	4-WIRE, CHANGE OVER, PNP
MAX. SWITCHING FREQUENCY	≤ 0.1 kHz
HOUSING MATERIAL	PLASTIC, PVDF
ACTIVE FACE	PLASTIC, PVDF
CABLE	∅5.2, PVDF
SHOCK RESISTANCE	30 g, 11 ms
VIBRATION RESISTANCE	55 Hz, 1 mm AMPLITUDE (IN ALL 3 PLANES)
DEGREE OF PROTECTION	IP67
SWITCHING STATUS INDICATION	LED, YELLOW



SOURCE DRAWING - FOR REFERENCE ONLY

RELATED DOCUMENTS 1. 2. 3. 4.	3RD ANGLE PROJECTION 	THIS DRAWING IS CONFIDENTIAL AND THE PROPERTY OF TURCK INC. USE OF THIS DOCUMENT WITHOUT WRITTEN PERMISSION IS PROHIBITED.		3000 CAMPUS DRIVE MINNEAPOLIS, MN 55441 1-800-544-7769 (763) 553-7300 (763) 553-0708 fax www.turck.us	
		MATERIAL SEE SPECS	DRFT RDS APVD A.F.	DATE 01/25/18 SCALE 1=1.3	DESCRIPTION BC10-PT30-VP4X2 7M SPLICED
FINISH	ALL DIMENSIONS DISPLAYED ON THIS DRAWING ARE FOR REFERENCE ONLY  CONTACT TURCK FOR MORE INFORMATION	UNIT OF MEASUREMENT <b>INCH [ MILLIMETER ]</b>		IDENTIFICATION NO. 2507093	REV A
A DRAWING RELEASE RDS 01/25/18		DO NOT SCALE THIS DRAWING		FILE: 2507093	SHEET 1 OF 1
REV DESCRIPTION BY DATE ECO NO.					